

JET 1

Помпи центробежни самозасмукващи за чиста вода

Clean water Domestic use



PERFORMANCE RANGE

- Flow rate up to **60 l/min** (3.6 m³/h)
- Head up to **48 m**

APPLICATION LIMITS

- Manometric suction lift up to **9 m** (HS)
- Liquid temperature between **-10 °C** and **+40 °C**
- Ambient temperature up to **+40 °C**
- Max. working pressure up to **6 bar**
- Continuous service **S1**

CONSTRUCTION AND SAFETY STANDARDS

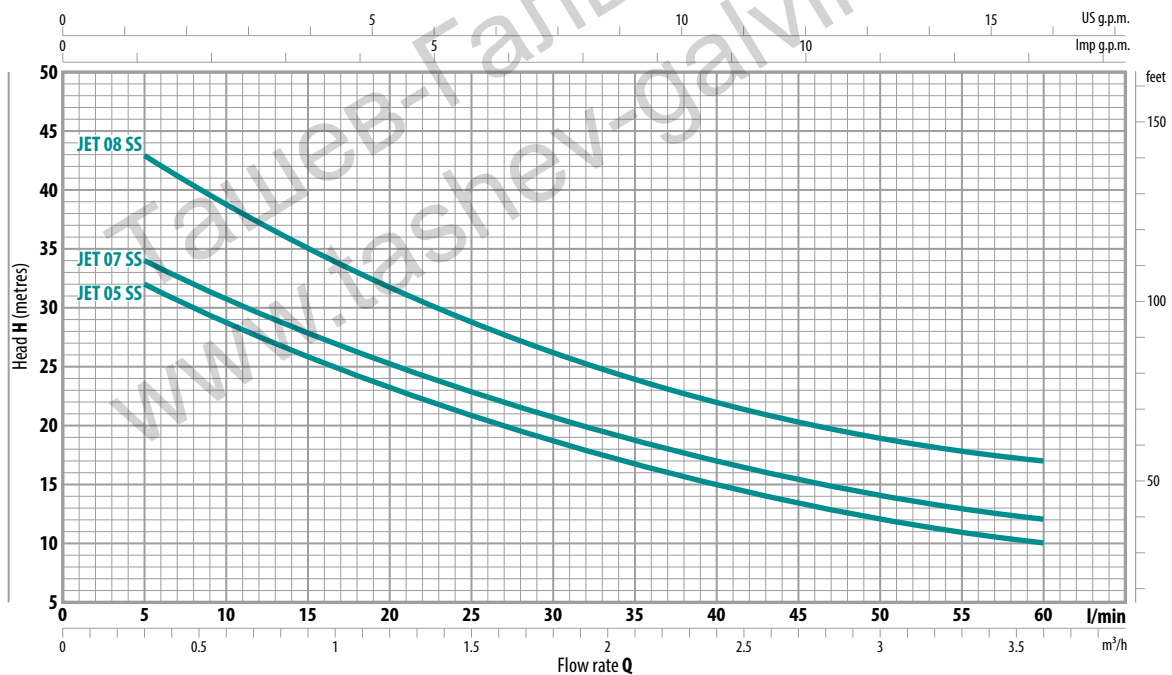
EN 60335-1
IEC 60335-1
CEI 61-150

EN 60034-1
IEC 60034-1
CEI 2-3



CHARACTERISTIC CURVES AND PERFORMANCE DATA

50 Hz | n = 2900 min⁻¹ | HS = 0 m



| MODEL | | POWER (P ₂) | | Q | Flow rate | | | | | | | | | | | | | |
|--------------|-------------|-------------------------|------|----------|-------------------|----|------|------|------|------|-----|------|-----|-----|-----|--|--|--|
| Single-phase | Three-phase | kW | HP | | m ³ /h | 0 | 0.3 | 0.6 | 1.2 | 1.5 | 1.8 | 2.4 | 2.7 | 3.0 | 3.6 | | | |
| | | | | l/min | 0 | 5 | 10 | 20 | 25 | 30 | 40 | 45 | 50 | 60 | | | | |
| JET 05M SS | JET 05 SS | 0.37 | 0.50 | H metres | 35 | 32 | 28.5 | 23.5 | 21 | 18.5 | 15 | 13.5 | 12 | 10 | | | | |
| JET 07M SS | JET 07 SS | 0.48 | 0.65 | | 37 | 34 | 30.5 | 25.5 | 23 | 20.5 | 17 | 15.5 | 14 | 12 | | | | |
| JET 08M SS | JET 08 SS | 0.55 | 0.75 | | 48 | 43 | 39 | 31.5 | 28.5 | 26 | 22 | 20.5 | 19 | 17 | | | | |

Q = Flow rate
H = Total manometric head
HS = Suction height

Tolerance of characteristic curves in compliance with EN ISO 9906 Grade 3B.

INSTALLATION AND USE

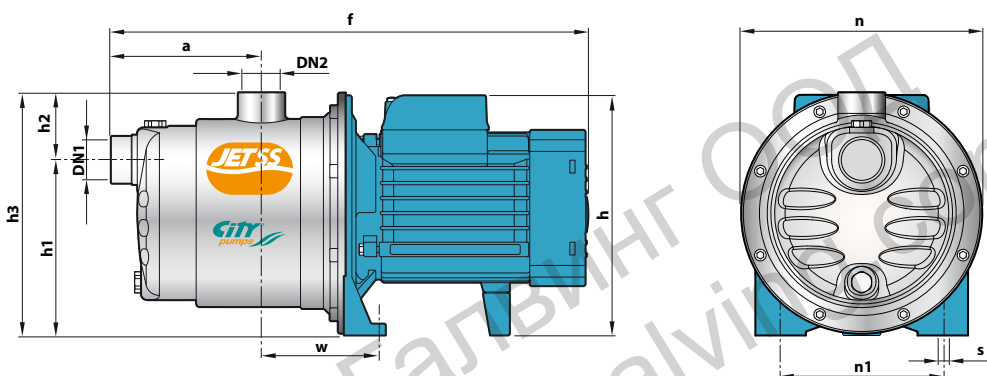
Suitable for use with clean water and with liquids that are not chemically aggressive towards the materials from which the pump is made. The self-priming **JET SS** pumps are designed to pump water even in cases where air is present. Because of their reliability and the fact that they are easy to use, they are recommended for use in domestic applications such as the distribution of water in combination with small or medium sized pressure tanks, and for the irrigation of gardens and orchards, etc.

The pump should be installed in an enclosed environment or sheltered from inclement weather.

CONSTRUCTION CHARACTERISTICS

| | |
|------------------------|---|
| PUMP BODY | Stainless steel AISI 304 complete with threaded ports in compliance with ISO 228/1 |
| IMPELLER | Stainless steel AISI 304 |
| MOTOR SHAFT | Stainless steel EN 10088-3 - 1.4104 |
| MECHANICAL SEAL | Ceramic - Graphite - NBR |
| ELECTRIC MOTOR | The three-phase pumps are fitted with high performance motors in class IE2 (IEC 60034-30) |

DIMENSIONS AND WEIGHT



| MODEL | | PORTS | | DIMENSIONS mm | | | | | | | | | | kg | |
|--------------|-------------|-------|-----|---------------|-----|-----|-----|----|-----|-----|-----|----|---|-----|-----|
| Single-phase | Three-phase | DN1 | DN2 | a | f | h | h1 | h2 | h3 | n | n1 | w | s | 1~ | 3~ |
| JET 05M SS | JET 05 SS | | | | | | | | | | | | | 7.1 | 7.1 |
| JET 07M SS | JET 07 SS | 1" | 1" | 113 | 361 | 182 | 132 | 51 | 183 | 182 | 120 | 87 | 9 | 7.2 | 7.2 |
| JET 08M SS | JET 08 SS | | | | | | | | | | | | | 7.8 | 7.2 |

ABSORPTION

| MODEL | VOLTAGE | | |
|--------------|---------|-------|-------|
| Single-phase | 230 V | 240 V | 110 V |
| JET 05M SS | 2.8 A | 2.7 A | 5.6 A |
| JET 07M SS | 3.1 A | 3.0 A | 6.0 A |
| JET 08M SS | 3.9 A | 3.8 A | 7.3 A |

| MODEL | VOLTAGE | | | | | |
|-------------|---------|-------|-------|-------|-------|-------|
| Three-phase | 230 V | 400 V | 690 V | 240 V | 415 V | 720 V |
| JET 05 SS | 2.1 A | 1.2 A | 0.7 A | 2.0 A | 1.1 A | 0.6 A |
| JET 07 SS | 2.3 A | 1.3 A | 0.8 A | 2.2 A | 1.2 A | 0.7 A |
| JET 08 SS | 3.0 A | 1.7 A | 1.0 A | 2.9 A | 1.6 A | 0.9 A |

PALLETIZATION

| MODEL | | GROUPAGE | CONTAINER |
|--------------|-------------|----------|-----------|
| Single-phase | Three-phase | n. pumps | n. pumps |
| JET 05M SS | JET 05 SS | 84 | 120 |
| JET 07M SS | JET 07 SS | 84 | 120 |
| JET 08M SS | JET 08 SS | 84 | 120 |